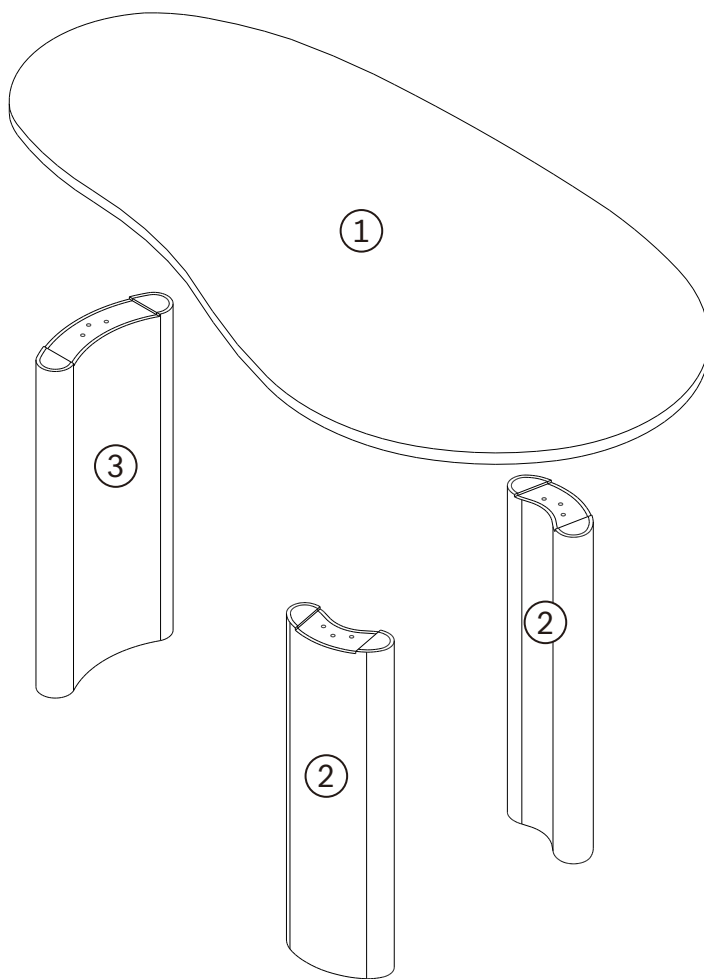
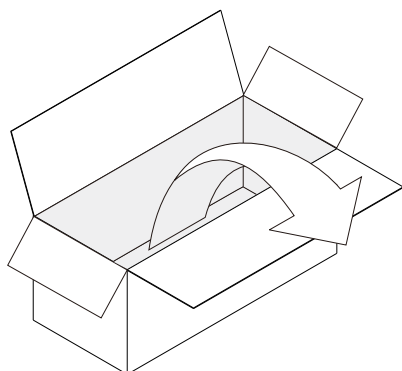
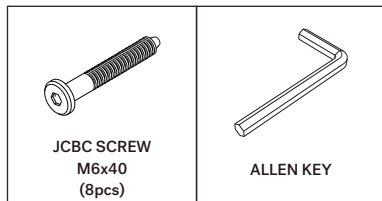


## 50794 OAK BOOMERANG DESK ASSEMBLY INSTRUCTIONS FOR DESK INSTALLATION



### HARDWARE & TOOLS ENCLOSED



### IN YOUR PACKAGE :

ASSEMBLY INSTRUCTIONS  
HARDWARE (AS LISTED ABOVE)

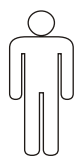
### PARTS TO BE INSTALLED

- 1. TABLE TOP (1 pc)
- 2. LEGS (2 pcs)
- 3. SHELF (1 pc)

### SYMBOLS



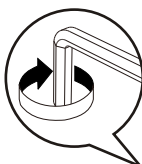
DIRECTION



NUMBER OF  
PERSONS NEEDED

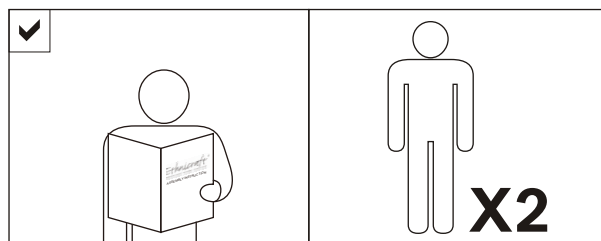


USE HAND



USE ALLEN KEY  
TO TIGHTEN

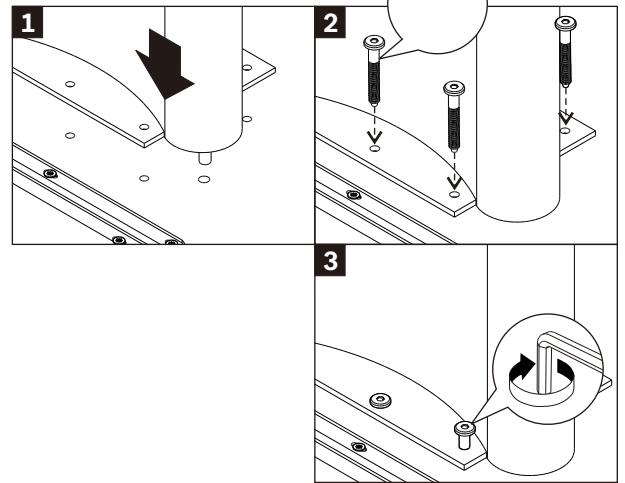
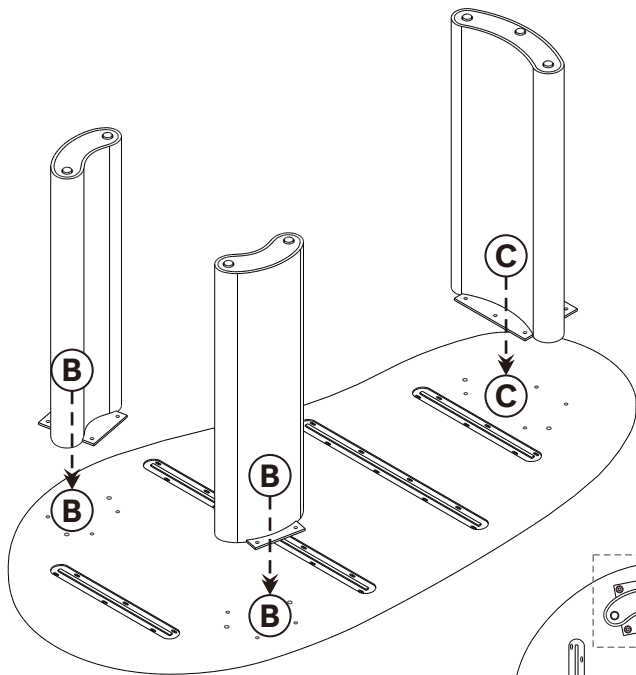
### NOTICE



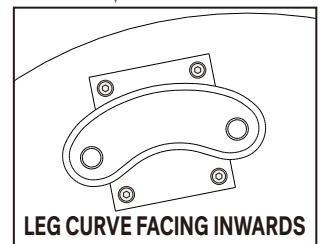
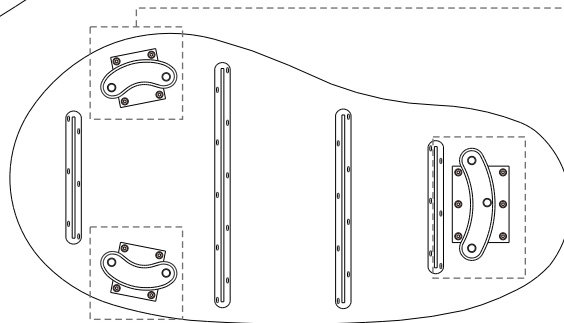
## 50794 OAK BOOMERANG DESK ASSEMBLY INSTRUCTIONS FOR DESK INSTALLATION



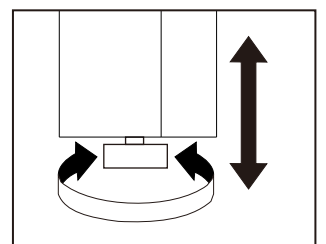
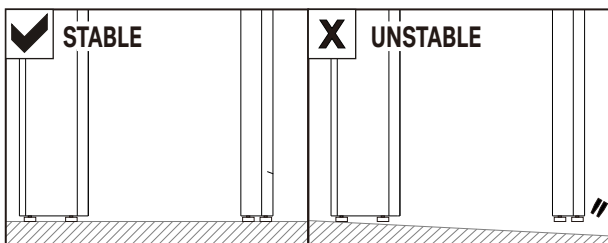
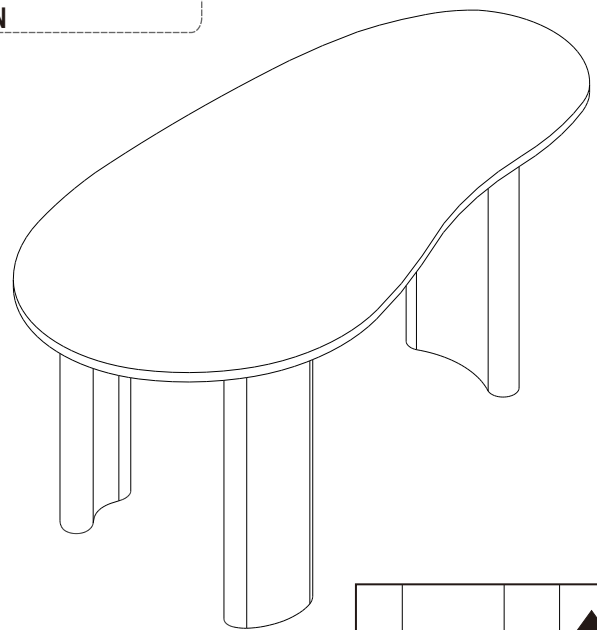
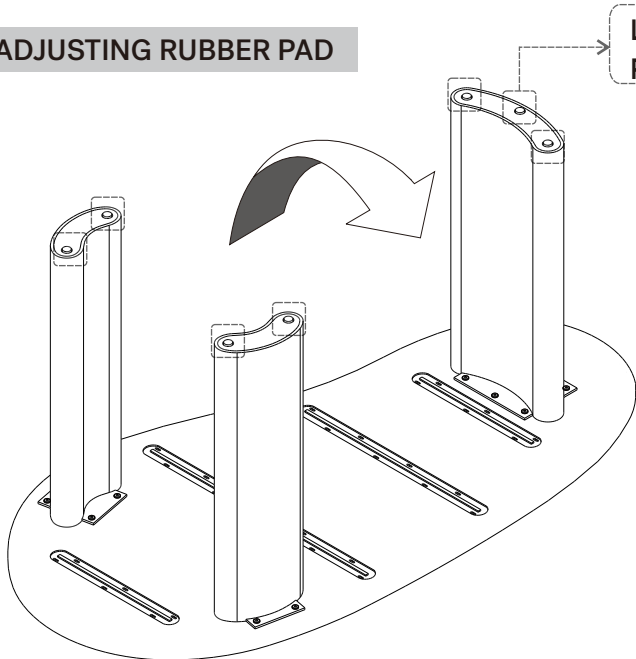
### A INSTALLING LEGS TO TABLE TOP



- USE JCBC SCREW M6x20 (14X)
- TIGHTEN FULLY



### B ADJUSTING RUBBER PAD



**NOTE:**  
THIS IS A COMPULSORY ACTION TO MAKE SURE  
ALL OF THE RUBBER PADS TOUCH THE GROUND!